



C800 Electro-hydraulic Operating Table

Tailored for all-purpose surgeries

PROVIDING INNOVATIVE FORCE WITH A DYNAMIC EXPERIENCE

To fulfill all surgical needs

C800 is the revolution of the proven C Series of operating tables, which has been known for its quality, stability, and flexibility on the market for more than decades.

Integrated with more than 30 years of expertise and clinical experience in the OR, Mediland presents a novel C800 Electro-Hydraulic Operating Table to the market. From its compact and delicate appearance to its distinctive features, C800 allows more precise positioning and speed control to improve work-flow and safety of patients.



Sheer design gives it
a kind of elegance



ALWAYS PROGRESSING

Designed with care for a dynamic experience

C800 electro-hydraulic operating table is a cost-effective, solid, and ergonomic product suitable for different operating controls.

The table is incorporated with tilt and support capacities, influencing them to be appropriate for surgical procedures. It offers several advanced features, such as adjustable table height, tabletops with hydraulic sliding function best used for medical imaging purposes, and the speed control system for a better patient experience.

Anti-collision alert provides notice to prevent table damage from various movements of positioning.

Pair of leg plates.

Compact and neat appearance for easy cleaning and anti-corrosion: SUS 304 stainless-steel telescopic column and base.

4 swivel casters for effortless movement and facilitating the relocation of the table.

More foot room for exceptional access.

Safety

- Excellent radiolucent Carbon-fiber kidney elevator built-in 4-section tabletop: Foldable magnet gear bar allows unobstructed movements of C-arm.



- Safety design of side rails: Anti-drop hook prevents detach of accessories to protect caregivers from accidental harm.



- Auxiliary & Override control system with clear action indications for emergency cases.



Comfort

- Decompression mattress: With Latex-free materials, the 6 cm thick pad outstandingly avoids allergies and manages pressure; the water-proof surface allows easy cleaning for contamination prevention.



- Pair of leg plates provides full support for patient's legs and excellent surgical access for surgeon.



Wireless Control

- Intuitive backlit hand controller for key operations. (wireless available)



CRATOS FORCE INTELLIGENT SPEED CONTROL SYSTEM

Feel in Control

Driver-centric controls: the whole new Cratos Force system integrated with an innovated driver offers a full suite of movement adjustment capabilities in a completely digitalization way to assist medical staff in precisely maneuvering the table for flexible patient positions.

Better patient's experience

Accurate progressive movements at start-up and leveling by automated speed reduction effectively reduces the vibration, provides patients a comfortable and careful surgery experience.

Intuitive safe protection

Once anti-collision alert beeps the surgical table can automatically reduce the speed of movements, thus preventing some portions of the table from colliding with another section.

Increase 30% efficiency of Auto-leveling movement

Through the compound movements achieved by Cratos Force system, C800 is able to resume the table and the patient back to level in the most ergonomically correct manner. When it comes to an emergency situation, the variable speed design will save more time than ever.



VARIOUS APPLICATIONS OF PATIENT POSITIONING

Safe and comfort



General Surgery



Minimally Invasive Surgery(MIS) and Endoscope Procedure



ENT Surgery



Cardiovascular Surgery



Conventional Cholecystectomy and Thoracic Surgery

Applied Accessories • PA06.02



Urology/Gynecology Surgery

Applied Accessories • PA06.02 • PA14.01 • PA16.02



Nephrectomy Surgery

Applied Accessories • PA06.02 • PA14.01



Neurosurgery (Prone Position)

Applied Accessories • PA06.02 • PA13.02 • PA42.02



Spinal Surgery

Applied Accessories • PA06.02 • PA27.01

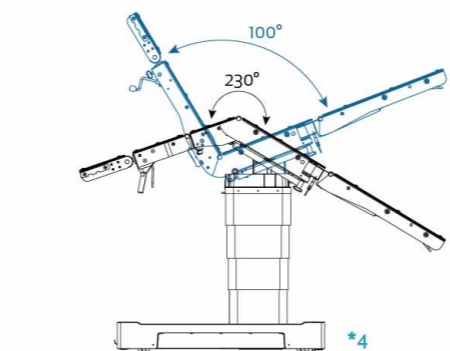
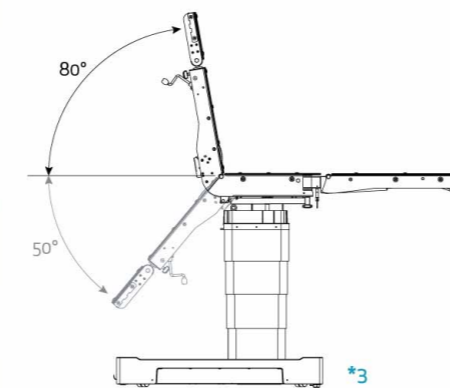
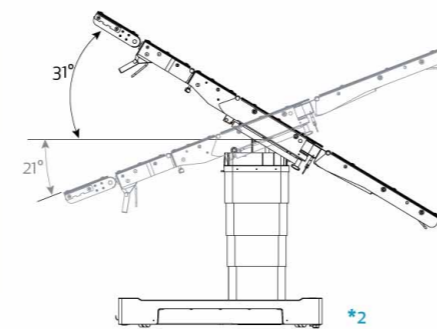
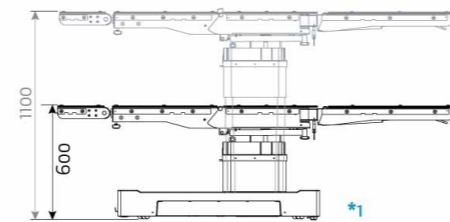


Shoulder Surgery

Applied Accessories • PA14.01 • PA54.01 • PA54.02

TECHNICAL SPECIFICATIONS

	C800	C800K	C800E
Extra Shoulder Section (E)			○
Carbon Fiber Built-in Kidney Elevator (K)		○	
Kidney Elevator (Carbon Fiber for excellent radiolucent)	N/A	120 mm	N/A
Electrical Sliding	○	○	○
Longitudinal Sliding		300 mm	
Auto-leveling	○	○	○
Table Length		2,072 mm	
Table Width (without side rails)		520 mm	
Table Height (without mattress) ^{*1}		600~1,100 mm	
Trendelenburg/Reverse Trend ^{*2}	21°/31°	21°/31°	31°/31° (After interchanged)
Lateral Tilt (L / R)		20°/20°	
Head Section (Up / Down)		60°/90°	
Shoulder Section (Up / Down)	N/A	N/A	40°/50°
Back Section (Up / Down) ^{*3}		80°/50°	
Leg (Up / Down)		20°/90°	
Leg (Open / 2 plates)		0°~180°	
Flex / Reflex ^{*4}		230°/100°	
Weight Capacity		454 kg / 1000lbs	



OPTIONAL ACCESSORIES

PA01.01	Radial Setting Clamp Side Rail (EU)	PA31.04	Pelvic Section Extender (US)
PA01.02	Radial Setting Clamp Side Rail (US)	PA31.09	Pelvic Section Extender (EU)
PA02.01	Flat Bar Clamp Side Rail (EU)	PA33.02	Headrest for Plastic Operation
PA02.02	Flat Bar Clamp Side Rail (US)	PA34.03	Spinal Support Frame
PA03.01	Anesthesia Screen	PA35.05	Pressure Management Mattress (6cm) K model
PA03.02	Telescopic Anesthesia Screen	PA35.06	Pressure Management Mattress (6cm) E model
PA04.01	Shoulder Brace (Left)	PA36.01	Transfer Board
PA05.01	Shoulder Brace (Right)	PA39.01	Radial Setting Clamp Side Rail
PA06.02	Armboard, 6 cm (US)	PA42.02	Adjustable headrest adapter
PA06.03	Armboard, 6 cm (EU)	PA46.01	Lithotomy Legholder
PA07.01	Lateral Brace	PA48.01	Armboard, Carbon Fiber (US)
PA08.02	Leg Holder	PA48.02	Armboard, Carbon Fiber (EU)
PA09.01	Foot Rest (Left)	PA49.01	Armboard, Laminated (US)
PA10.01	Foot Rest (Right)	PA49.02	Armboard, Laminated (EU)
PA11.01	Restraint Strap	PA54.01	Shoulder Attachment (C600E)
PA11.02	Body Strap with Buckle	PA54.02	Shoulder Attachment
PA12.01	Infusion Stand with Two Hooks	PA63.01	Back Section Extender (US)
PA12.02	Infusion Stand with Four Hooks	PA63.03	Back Section Extender (EU)
PA13.02	Horseshoe Headrest (C)	PA69.01	Adjustable Supporting with Pad
PA14.01	Upper Arm Support	PA69.02	Adjustable Instrument Tray
PA14.02	Upper Arm Support (With Mesh)	PA69.03	Pubis Support (Round pad)
PA15.01	Proctology Attachment	PA70.01	Cassette Carrier
PA16.02	Drain Pan	PA84.01	Table Width Extender, 25cm (US)
PA17.01	Accessory Trolley (US)	PA84.02	Table Width Extender, 25cm (EU)
PA17.02	Accessory Trolley (EU)	PA85.01	Table Width Extender, 45cm (US)
PA19.07	Cassette Top for C Series (K model)	PA85.02	Table Width Extender, 45cm (EU)
PA19.08	Cassette Top for C Series (E model)	PA113.01	Wristlet
PA27.01	Dorsal Operation Pad	PA114.01	Anesthesia Screen with Suspended Arm Strap
PA28.02	Foot Control	PA115.01	Neck Supporting Pad
PA29.01	Microscopic Operation Frame for Hand Operation (US)	PA115.02	Supporting Pad
PA29.02	Microscopic Operation Frame for Hand Operation (EU)	PA116.01	Semi Circular Shaped Pad
PA29.03	Microscopic Operation Frame for Hand Operation (Rectangular Type US)	PA122.01	Perineal Filler Plate
PA29.04	Microscopic Operation Frame for Hand Operation (Rectangular Type EU)	PA123.01	Instrument Tray
PA30.02	Sitting Headrest	PA650.02	Orthopedic Extension (6cm)
		PA901.06	Orthopedic Extension, Carbon Fiber (6cm)



Mediland Enterprise Corporation

Headquater

No.75, Wenhwa 1st Rd., Guishan Dist, Taoyuan City
33382, Taiwan, R.O.C.
Phone 886-3-328-9140
Fax 886-3-328-8881
international@mediland.com.tw

Branch

No.29, Qinhuai Rd., Nanjing Jiangning Economic &
Technological Development Zone, China
Phone 86-25-5791-8595
Fax 86-25-5791-8594
chinasales@mediland.com.cn



Released in Taiwan, Mar., 2021, All rights reserved.
Mediland Catalogue Ref. No. QB-C800-E-V2