



# **C660 Electro-hydraulic** Operating Table

**Ideal solutions for all-purpose surgeries**

# IDEAL SOLUTION FOR ALL-PURPOSE SURGERIES

Reshape the standard of practical

Founded in 1984, Mediland is dedicated to creating better healthcare for tomorrow with more than 35 years of expertise and clinical experience in the OR.

C660 electro-hydraulic operating table is an upgraded version of the proven C600 operating table. The table keeps advantages of the ultra-low tabletop height and a great variety of model configurations from the C600 that was first launched 15 years ago, and also introduces more impressive functionality and practical design.

Not only easy to maintain hygiene from its compact and full stainless steel appearance but also the new Rapid-Link setup design benefits convenient installation and dismantling, C660 optimizes the workflow of surgical teams and provides more flexibility.



## **C660 KSND**

Compact design of the stainless-steel column and base



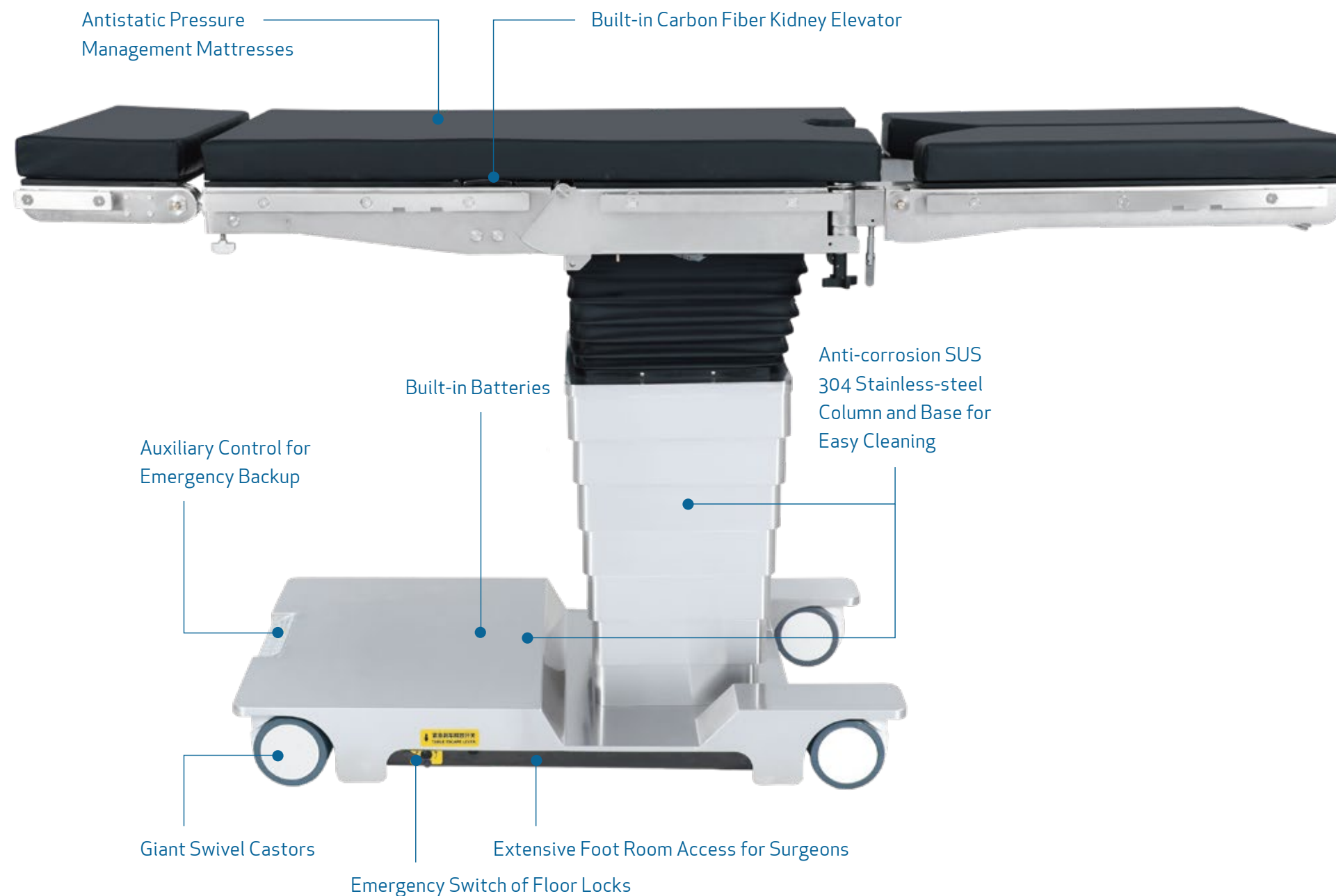


# OPTIMAL PERFORMANCE AND SAFETY MAXIMIZE THE SURGICAL EFFICIENCY

## The solution for any surgical discipline

C660 operating table includes a compact stainless steel modular base, an interchangeable four-section tabletop, and the high mobility of giant swivel casters.

The table provides a variety of safety components with an ergonomic design that improves operating workflow and can be adapted to any surgery.



### Safety

- **Anti-drop Hook:** The safety design of side rails prevents sliding off of accessories to protect caregivers from accidental harm.



- **Emergency Switch of Floor Locks:** Easily relocate the table to any position by adjusting the emergency brake manually to release the floor locks in an emergency state.



- **Auxiliary & Override Control System:** With clear action indications and an extra panel underneath the base for emergency cases.



### Improvement of Efficiency

- **Rapid-Link Design:** The Rapid-Link design allows a single thumb press to interchange modules effortlessly and safely. (Head and Leg sections)



- **Built-in Carbon Fiber Kidney Elevator:** Innovative design of hidden gear bar allows unobstructed movements of C-arm. Carbon-fiber materials for excellent radiolucent.



- **4 of 12.5cm Giant Swivel Castors:** Easy to clean and high mobility of relocating the table.

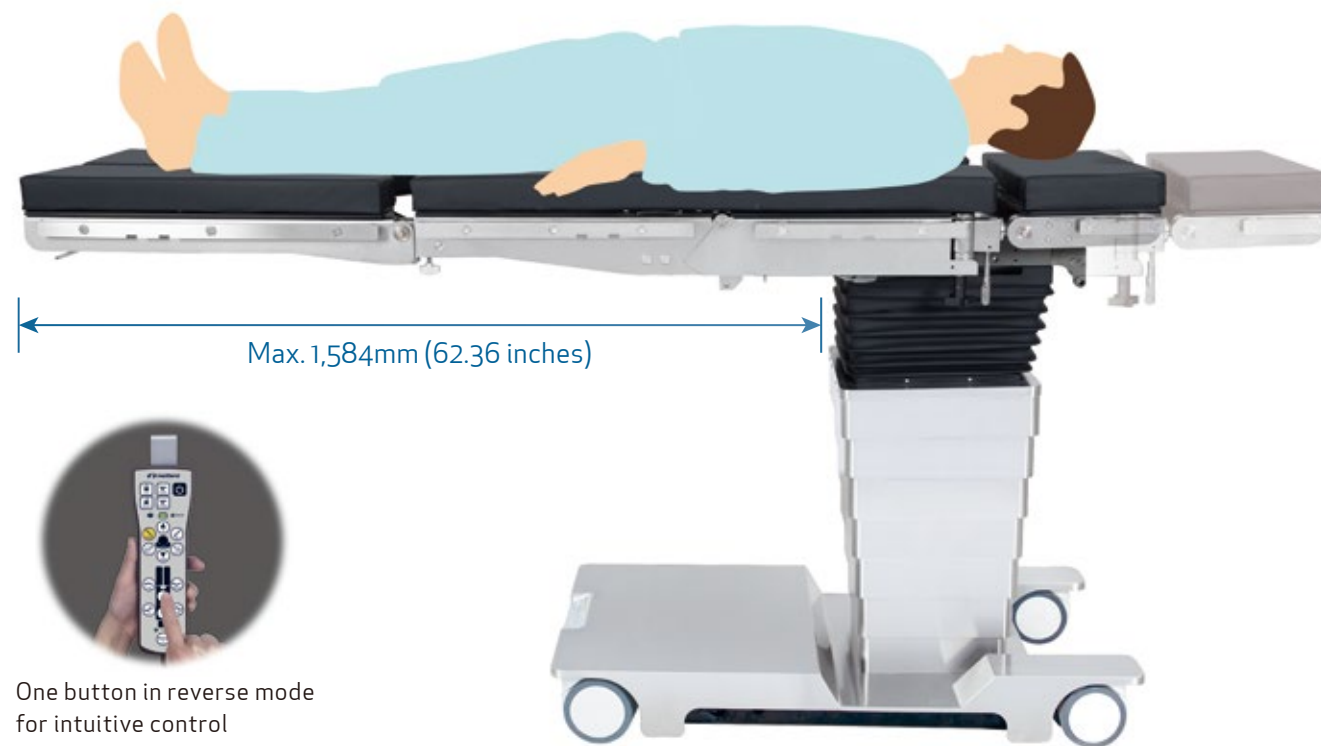


# ENABLING ALL CLINICAL NEEDS OF SURGICAL SPECIALTY

Superior longitudinal sliding and ergonomic design

C660 provides outstanding longitudinal sliding, ultra-low tabletop height, and superb ergonomic design, achieving excellent positioning for the surgery team.

Thanks to up to 350mm electric sliding distance and the Rapid-Link that allows the quick interchange of the head and leg modules, the table enables a great imaging area with ideal access for the C-arm.



▲ Lift / Lower



▲ Trendelenburg / Reverse trendelenburg



▲ Lateral tilt



**Ultra-low Tabletop Height**

Allows surgeons in a comfortable sitting position during longer-time operations.



**Ergonomic Design**

The groove design offers more extensive legroom for surgeons in urologic and gynecologic surgery.



**Maximum Weight Capacity**

Up to 454kg securing the safety of patients and stability of procedures.



# FULFILL THE NEEDS OF VARIOUS SURGICAL POSITIONS

Functional and practical



General Surgery



ENT Surgery



Minimally Invasive Surgery (MIS) and Endoscope Procedure



Conventional Cholecystectomy and Thoracic Surgery



Nephrectomy Surgery

Applied Accessories PA14.01



Ophthalmic and Plastic Surgery

Applied Accessories CPA33.04



Extracorporeal Membrane Oxygenation

Applied Accessories CPA13.06



Urology/Gynecology Surgery

Applied Accessories PA08.02 · PA16.02



Neurosurgery (Prone Position)

Applied Accessories CPA13.06



Neurosurgery (Sitting Position)

Applied Accessories PA30.02 · PA14.01



Rectal Surgery

Applied Accessories PA15.01 · PA09.01 · PA10.01



Spinal Surgery

Applied Accessories CPA13.06



Back (Spinal) Surgery

Applied Accessories PA09.01 · PA10.01 · PA27.01



Shoulder Surgery

Applied Accessories CPA54.07



Orthopedic Surgery

Applied Accessories CPA58.03



# TECHNICAL SPECIFICATIONS

	Carbon Fiber Built-in Kidney Elevator(K) 120mm	Electrical Sliding(S) 350mm	Low Profile Tabletop(N)	Auto-leveling(D)
C660 K	○			
C660 K/S	○	○		
C660 K/SD	○	○		○
C660 K/SND	○	○	○	○
C660 /S		○		
C660 /SN		○	○	
C660 /SD		○		○
C660 /SND		○	○	○
C660 /N			○	
C660 /ND			○	○

Table Length	2,070mm
Table Width (without side rails)	520mm
Table Height (without mattress)	680-1,120mm 520-1,020mm (For N model)
Trendelenburg/Reverse Trend	30°/30° 26°/26° (For N model)
Lateral Tilt (L / R)	20°/20°
Head Section (Up / Down)	60°/90°
Back Section (Up / Down)	80°/50°
Leg (Up / Down)	20°/90°
Leg (Open / 2 plates)	0° - 180°
Flex / Reflex	230°/100°
Weight Capacity	454kg/1,000lbs

# OPTIONAL ACCESSORIES

PA01.01	Radial Setting Clamp Side Rail (EU)	PA29.04	Microscopic Operation Frame for Hand Operation (Rectangular Type EU)
PA01.02	Radial Setting Clamp Side Rail (US)	PA30.02	Sitting Headrest
PA02.01	Flat Bar Clamp Side Rail (EU)	CPA33.04	Headrest for Plastic Operation
PA02.02	Flat Bar Clamp Side Rail (US)	PA34.03	Spinal Support Frame
PA03.01	Anesthesia Screen	PA35.05	Pressure Management Mattress (6cm) Standard
PA03.02	Telescopic Anesthesia Screen	PA36.01	Transfer Board
PA04.01	Shoulder Brace (Left )	PA39.01	Radial Setting Clamp Side Rail
PA05.01	Shoulder Brace (Right)	CPA42.07	Adjustable headrest adapter
PA06.02	Armboard, 6 cm (US)	PA46.01	Lithotomy Legholder
PA06.03	Armboard, 6 cm (EU)	PA48.01	Armboard, Carbon Fiber (US)
PA07.01	Lateral Brace	PA48.02	Armboard , Carbon Fiber (EU)
PA08.02	Leg Holder	PA49.01	Armboard, Laminated (US)
PA09.01	Foot Rest (Left)	PA49.02	Armboard, Laminated (EU)
PA10.01	Foot Rest (Right)	CPA54.07	Shoulder Attachment
PA11.01	Restraint Strap	PA69.01	Adjustable Supporting with Pad
PA11.02	Body Strap with Buckle	PA69.02	Adjustable Instrument Tray
PA12.01	Infusion Stand with Two Hooks	PA70.01	Cassette Carrier
PA12.02	Infusion Stand with Four Hooks	PA84.01	Table Width Extender, 25cm (US)
CPA13.06	Horseshoe Headrest (C)	PA84.02	Table Width Extender,25cm (EU)
PA14.01	Upper Arm Support	PA85.01	Table Width Extender,45cm (US)
PA15.01	Proctology Attachment	PA85.02	Table Width Extender,45cm (EU)
PA16.02	Drain Pan	PA95.01	Lateral Support
PA17.01	Accessory Trolley (US)	PA113.01	Wristlet
PA17.02	Accessory Trolley (EU)	PA114.01	Anesthesia Screen with Suspended Arm Strap
PA17.03	Advanced Accessory Trolley (US)	PA115.01	Neck Supporting Pad
PA17.04	Advanced Accessory Trolley (ES)	PA115.02	Supporting Pad
PA27.01	Dorsal Operation Pad	PA116.01	Semi Circular Shaped Pad
PA28.02	Foot Control	PA122.01	Perineal Filler Plate
PA29.01	Microscopic Operation Frame for Hand Operation (US)	PA123.01	Instrument Tray
PA29.02	Microscopic Operation Frame for Hand Operation (EU)	CPA58.03	Orthopedic Extension (6cm)
PA29.03	Microscopic Operation Frame for Hand Operation(Rectangular Type US)	CPA901.11	Orthopedic Extension, Carbon Fiber (6cm) US



## Mediland Enterprise Corporation

### Headquater

No.75, Wenhwa 1st Rd., Guishan Dist, Taoyuan City  
33382, Taiwan, R.O.C.  
Phone 886-3-328-9140  
Fax 886-3-328-8881  
international@mediland.com.tw

### Branch

No.29, Qinhuai Rd., Nanjing Jiangning Economic &  
Technological Development Zone, China  
Phone 86-25-5791-8595  
Fax 86-25-5791-8594  
chinasales@mediland.com.cn



Released in Taiwan, Feb., 2022, All rights reserved.  
Mediland Catalogue Ref. No. QB-C660-E-V1